

Inlet filter, front or rear side mounting

Standard- or Medical-Filter



Screw-on mounting
from front side
Snap-In Version or Screw-On Version



Snap-in mounting
from front side
Snap-In Version or Screw-On Version



New
Screw-on mounting
from rear side
with wires (stranded)
Snap-In Version or Screw-On Version



C20



70° C



Description

- Panel Mount:
Screw-on version from front or rear side, snap-in version from front side
- 2 Functions:
Inlet Protection class I, Line filter in standard and medical version
- Solder, quick connect or wires (stranded)

Approvals

- VDE License Number: 104884
- UL License Number: E72928
- CSA License Number: 97784

Characteristics

- Compact design with optimal shielding
Suitable for assembly in metal plated plastic housings
- Version with class X1 and X2 (standard version) capacitors
- Universal line filter for standard applications
Designed for standard and medical applications
- Qualified for use in equipment according IEC/EN 60950

Other versions on request

- 16A according to UL
- Capacity CX 330 nF

References

[General Product Information](#)

Weblinks

[Approvals](#), [RoHS](#), [CHINA-RoHS](#), [e-Store](#), [SCHURTER-Stock-Check](#), [Distributor-Stock-Check](#)

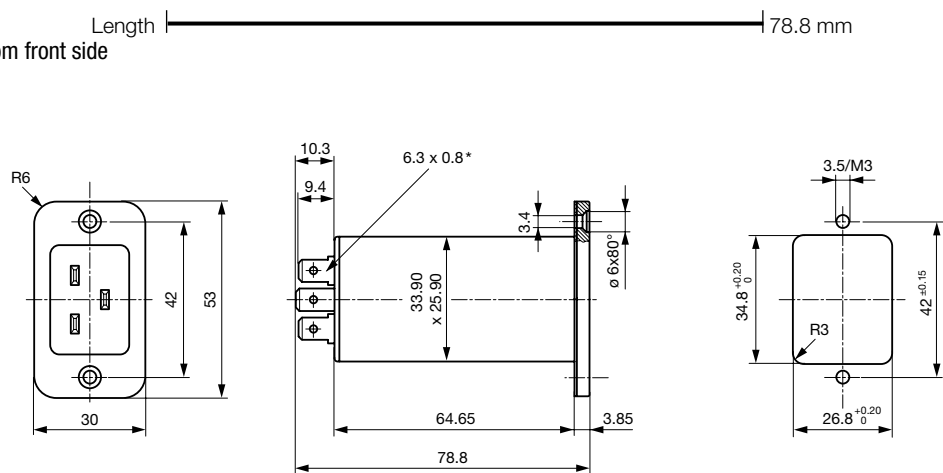
Technical Data

Ratings IEC	16A @ Ta 40 °C / 250VAC; 50Hz
Ratings UL/CSA	20A @ Ta 40 °C / 250VAC; 60Hz
Leakage Current	standard < 0.5 mA (250 V / 60Hz) medical < 5 µA (250 V / 60 Hz)
Dielectric Strength	> 1.7 kVDC between L-N (Cy2) > 2.7 kVDC between L/N-PE (Cy2) Test voltage (2 sec)
Impulse Withstand Voltage	> 2.5 kV between L-N (CX2) > 4 kV between L-N (CX1) > 5 kV between L/N-PE (Cy2) voltage (1.2/50 µs)
Allowable Operation Temp.	-25 °C to 85 °C
Climatic Category	25/085/21 acc. to IEC 60068-1
Degree of Protection	from front side IP 40 acc. to IEC 60529
Protection Class	Suitable for appliances with protection class I acc. to IEC 61140
Terminal	Solder, quick connect or wires (stranded)
Panel Thickness s	Screw-on: max 8 mm Mounting screw torque max 0.5 Nm Snap-in: 1 mm to 3 mm
Material: Housing	Thermoplastic, black, UL 94V-0

Appliance-Inlet /-Outlet	C20 acc. to IEC/EN 60320-1, UL 498, CSA C22.2 no. 42 (for cold condition) pin-temperature 70 °C, 16A, Protection class I
Line Filter	Standard and Medical Version, IEC 60939, IEC 60601-1, UL 1283, UL 544, EN 133 200, CSA C22.2 no. 8 Technical details
MTBF	> 3'000'000h acc. to MIL-HB-217 F

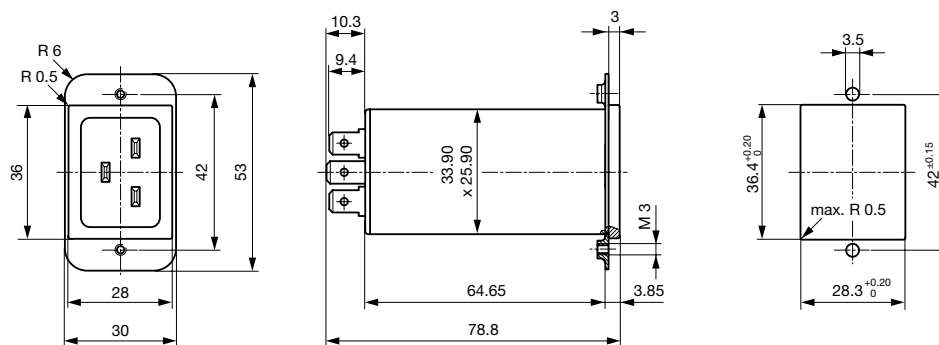
Dimensions

Screw-on mounting from front side

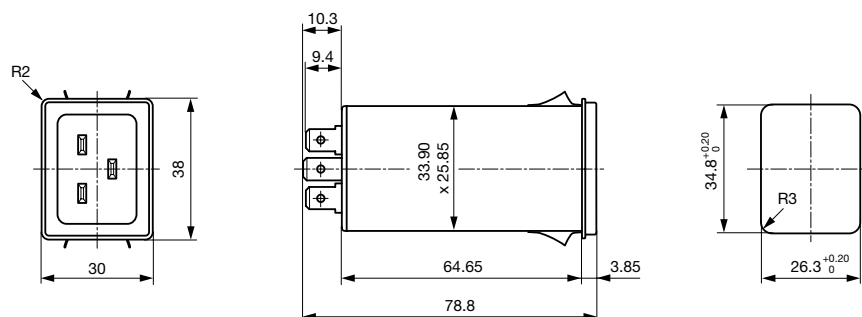


* Solder terminal: identical outer dimensions

Screw-on mounting from rear side with metal flange



Snap-in mounting from front side

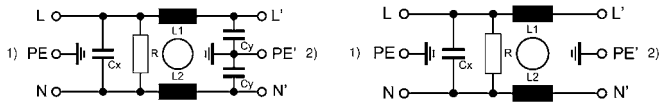


Technical Data of Filter-Components

Rated Current [A]	Filter-Type	Inductances L [mH]	Capacitance CX [nF]	Capacitance CY [nF]	R [MΩ]
16	Standard Version	2 x 0.3	100	2.2	1
16	Medical Version (M5)	2 x 0.3	100	-	1
16	Medical Version (M80)	2 x 0.3	100	0.47	1

Diagrams

Standard or medical version (M80) Medical version (M5)



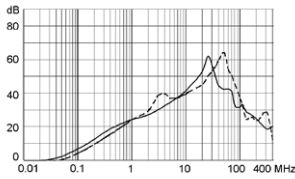
1) Line
2) Load

1) Line
2) Load

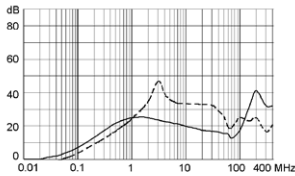
Attenuation Loss

- - - differential mode ____ common mode

Standard version
IEC 16A / UL 20A



Medical version (M5)
IEC 16A / UL 20A



Variants

[Distributor-Stock-Check](#) | [SCHURTER-Stock-Check](#) | [e-Store](#)

Rated Current IEC [A]	Rated Current UL [A]	Filter-Type	Panel mounting	Mounting side	Terminal	Capacitor	Order Number
16	20	Standard Version	Snap-in	Front-Side	Quick connect terminals	X2	C20F.0111
16	20	Standard Version	Snap-in	Front-Side	Quick connect terminals	X1	C20F.0113
16	20	Standard Version	Snap-in	Front-Side	Solder terminals	X2	C20F.0011
16	20	Standard Version	Snap-in	Front-Side	Solder terminals	X1	C20F.0013
16	20	Standard Version	Screw-on	Front-Side	Quick connect terminals	X2	C20F.0101
16	20	Standard Version	Screw-on	Front-Side	Quick connect terminals	X1	C20F.0103
16	20	Standard Version	Screw-on	Front-Side	Solder terminals	X2	C20F.0001
16	20	Standard Version	Screw-on	Front-Side	Solder terminals	X1	C20F.0003
16	20	Standard Version	Screw-on	Rear-Side	Flexible wire14 AWG	X2	C20F.0221
16	20	Standard Version	Screw-on	Rear-Side	Flexible wire14 AWG	X1	C20F.0223
16	20	Standard Version	Screw-on	Rear-Side	Quick connect terminals	X2	C20F.0121
16	20	Standard Version	Screw-on	Rear-Side	Quick connect terminals	X1	C20F.0123
16	20	Standard Version	Screw-on	Rear-Side	Solder terminals	X2	C20F.0021
16	20	Standard Version	Screw-on	Rear-Side	Solder terminals	X1	C20F.0023
16	20	Medical Version (M5)	Snap-in	Front-Side	Quick connect terminals	X2	C20F.0112
16	20	Medical Version (M5)	Snap-in	Front-Side	Quick connect terminals	X1	C20F.0114
16	20	Medical Version (M5)	Snap-in	Front-Side	Solder terminals	X2	C20F.0012
16	20	Medical Version (M5)	Snap-in	Front-Side	Solder terminals	X1	C20F.0014
16	20	Medical Version (M5)	Screw-on	Front-Side	Quick connect terminals	X2	C20F.0102
16	20	Medical Version (M5)	Screw-on	Front-Side	Quick connect terminals	X1	C20F.0104
16	20	Medical Version (M5)	Screw-on	Front-Side	Solder terminals	X2	C20F.0002
16	20	Medical Version (M5)	Screw-on	Front-Side	Solder terminals	X1	C20F.0004
16	20	Medical Version (M5)	Screw-on	Rear-Side	Wires14 AWG	X1	C20F.0224

Rated Current IEC [A]	Rated Current UL [A]	Filter-Type	Panel mounting	Mounting side	Terminal	Capacitor	Order Number
16	20	Medical Version (M5)	Screw-on	Rear-Side	Flexible wire 14 AWG	X2	C20F.0222
16	20	Medical Version (M5)	Screw-on	Rear-Side	Quick connect terminals	X2	C20F.0122
16	20	Medical Version (M5)	Screw-on	Rear-Side	Quick connect terminals	X1	C20F.0124
16	20	Medical Version (M5)	Screw-on	Rear-Side	Solder terminals	X2	C20F.0022
16	20	Medical Version (M5)	Screw-on	Rear-Side	Solder terminals	X1	C20F.0024
16	20	Medical Version (M80)	Screw-on	Rear-Side	Quick connect terminals	X2	C20F.0125
16	20	Medical Version (M80)	Screw-on	Rear-Side	Quick connect terminals	X1	C20F.0126
16	20	Medical Version (M80)	Screw-on	Rear-Side	Solder terminals	X2	C20F.0025
16	20	Medical Version (M80)	Screw-on	Rear-Side	Solder terminals	X1	C20F.0026

Wire length: 150 mm

Packaging unit 20 Pcs

Accessory

Description



Assorted Covers
Rear Cover

0859.0047



Cord retaining kits
Cord retaining strain relieve

Countersunk, K

4700.0010

Flat head, L

4700.0011